

BMC

SERIE AGM



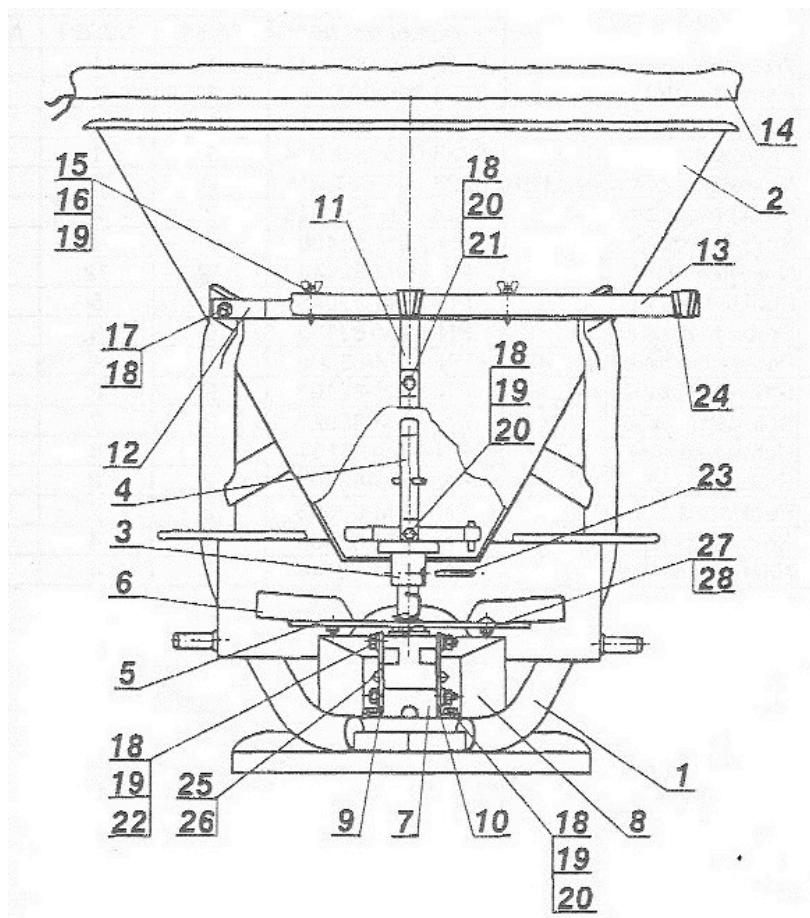
MANUAL OF USE AND MAINTENANCE

www.bmc-agricola.es

INDEX

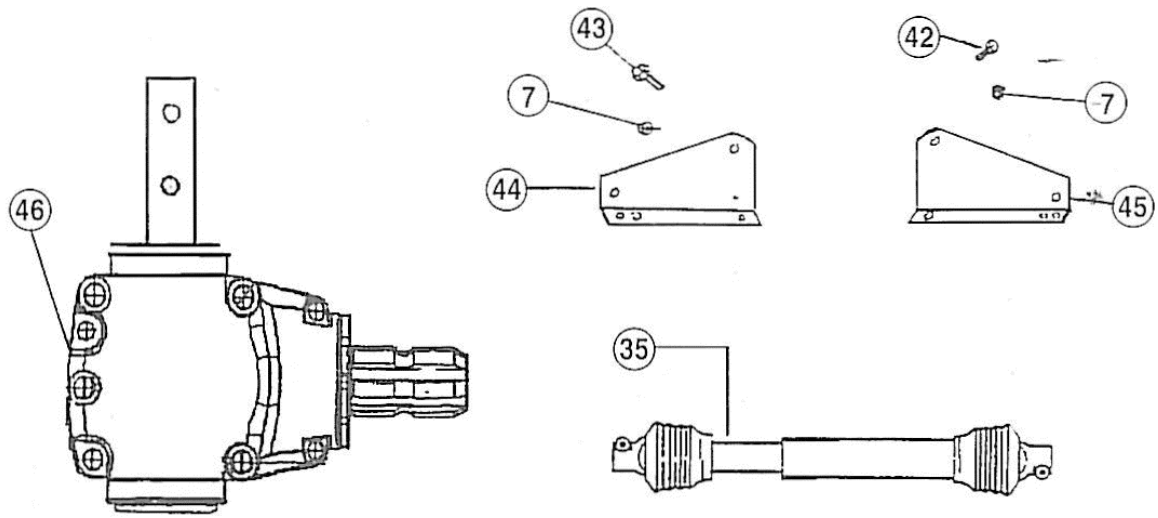
1. Machine components
2. Assembly instruction
3. Adjustment
4. Guarantee
5. Manufacture certificate
6. Declaration of conformity CE

1. Machine components

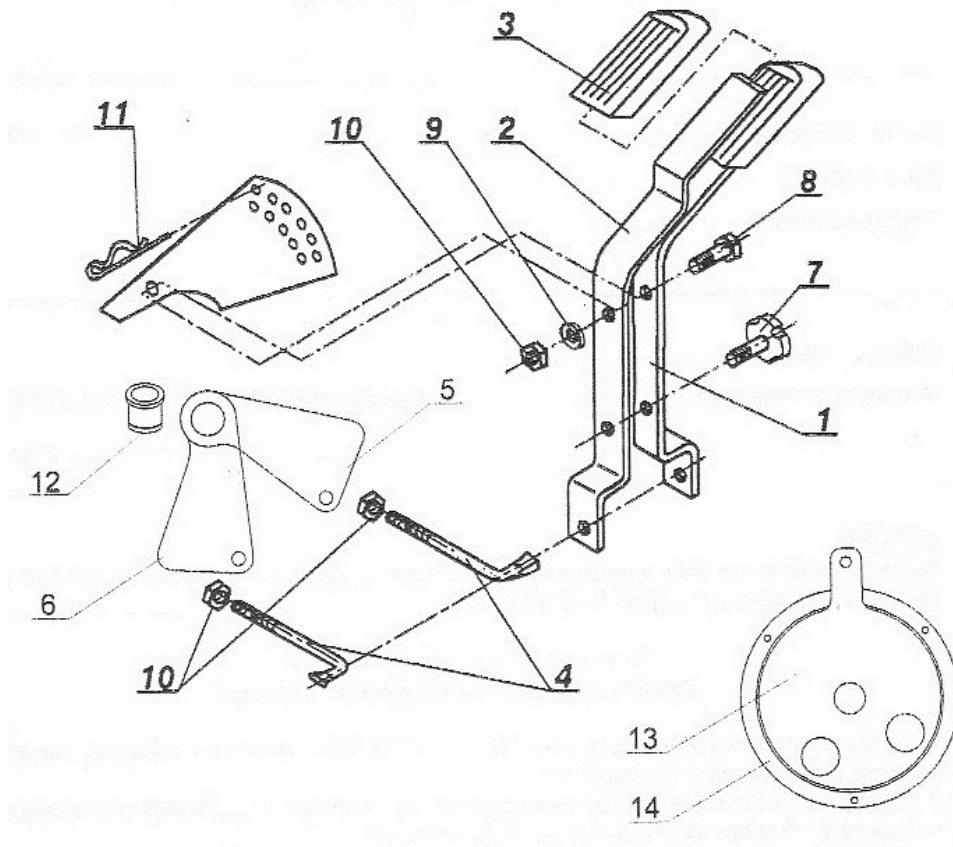


Description	Part number
Frame	1
Hopper	2
Agitator Sleeve	3
Agitator	4
Plate	5
Wings	6
Gearbox	7
PTO Cover	8
Left handle	9
Right handle	10

Rest of parts is only additional equipment or connect element



Description	Part number
Self lock nut	7
Pto shaft	35
Bolt 10x25	42
Bolt 10x 10	43
Left support gearbox	44
Right support gearbox	45
Gearbox	46



Description	Part number
Handle right	1
Handle left	2
Lever	3
Band	4
Sliding bold right	5
Sliding bold left	6
Winder M8	7
Screw M10 x 30	8
Spacer 10,5	9
Nut M10	10
Spiral pin 30 x 70Fe / Zn5m	11
Case	12
Seeding closer	13
Circle	14

2. Assembly instruction

- Mount the gearbox to the frame and fix it with bolts and nuts.
- Put the spreading disc on the output shaft and secure it with inner and outer roller pins.
- Slide the lever's shutters into the rails positioned at the hopper's bottom. Fix the levers to the frame with proper bolt, nut and lock knob. When the levers are closed, regulate the nuts of the tie rods until the flowing holes are completely closed.
- Assemble the hopper to the frame with the three bolts and nuts.
- Slide the lever's shutters into the rails positioned at the hopper's bottom. Fix the levers to the frame with proper bolt, nut and lock knob.
- Mount the lower agitator (7) twisting anticlockwise.
- Attach the PTO shaft.

3. Adjustment

This following SPREADING TABLE will give you only general indications of spreading possibility because it may change considerably in presence of external factors such as wind, moisture of fertilizer, etc.

The experience of the operator with the machine and fertilizer's type will determine the adjustment factors.

Tractor speed: 6 km/h:

Fertilizer	Work width	Lever Position						
		1	2	3	4	5	6	7
Ammonium sulphate	8 m	32	97	161	225	303	367	432
Urea	8 m	32	84	161	212	277	354	470
Triple superphosphate	8 m	13	110	206	303	374	464	612
Powder superphosphate	4 m	-	175	309	361	588	639	691
Potassium salt	4 m	-	-	186	227	278	342	443
Lime oxygenic	4 m	-	-	-	-	309	361	443

Tractor speed: 9 km/h:

Fertilizer	Work width	Lever Position						
		1	2	3	4	5	6	7
Ammonium sulphate	8 m	25	75	125	175	235	285	335
Urea	8 m	25	65	125	165	215	225	365
Triple superphosphate	8 m	10	85	160	235	290	360	475
Powder superphosphate	4 m	56	136	240	280	456	496	536
Potassium salt	4 m	-	-	144	176	216	264	336
Lime oxygenic	4 m	-	-	-	-	240	280	344

4. Guarantee

All the machines made by BMC are sold with the guarantee of a year from the delivery date, according to the following clauses:

1. If in the period of a year some piece of the group is defective due to the material or to some problem of manufacture, BMC will be responsible of it repair or substitution in a free way.
2. The customer at the moment of the delivery of the merchandise must control that this one has not been damaged during the transport, so that is according to the ordered one and with all the accessories anticipated in transaction contract. In opposite case, he must send a claim within the 8 following days to the delivery of the merchandise.

The guarantee will not be applied in the following cases:

- i. A normal wearing away caused by the use.
- ii. breakage or wears away of the parts of the group due to a negligence or an inadequate use of the same one; modifications of the nonauthorized group (of written form) by the manufacturing company or in case to have used spare parts or accessories nonproduced by the same one, BMC Agricola.S.L.
- iii. The defects due to the material or the manufacture will be examined by our Center of Technical Attendance.
- iv. If the claim was clearly unjustified, all the cost of repair (transports, displacements, substitution of the damaged parts, etc.) will be client responsibility. BMC S.L. will not be responsible of any damage caused by the transport.

) . **Manufacture certificate**

Manufacturer: BMC Maquinaria Agrícola, S.L.

Mark: BMC

Description:
One Disk Spreader



Marta Bes Cañadas as manager of the Company BMC Agrícola S.L. guarantees that the data below belong to the referenced machine, which is manufactured by that Company.

 **AGRÍCOLA, S.L.**
P.I. Montecillo
50520 MAGALLÓN (Zaragoza)



Fdo. Marta Bes

6. Declaration of conformity CE

<u>Manufacturer:</u> BMC Maquinaria Agrícola, S.L.	
<u>Mark:</u> BMC	<u>Description:</u> One Disc Spreader
<p><i>Marta Bes Cañadas as manager of the Company BMC Agricola S.L. guarantees that the data of preamble are reliable and that the machine, has been manufactured by the Company according to the directive 2006/42-CE for agricultural machinery.</i></p>	
<p> P.I. Montecillo 50520 MAGALLÓN (Zaragoza)</p>	
<p> Fdo. Marta Bes</p>	



BML
AGRÍCOLA

ESPECIALISTA EN EL ABONADO
SPECIALIZES IN FERTILIZATION