

# ATOM 4000

# ATOM 4000



## Engine

FPT  
N45 – 4 cylinders – 4500 cc - diesel  
103 kW @ 2200 rpm  
636 Nm @ 1500 rpm

## Chassis

Advanced High Strength Steel, hot galvanized.  
ROPS.

## Cab

Stainless steel body, powder painted.  
Large roomy cab, best driving comfort.  
Pressurized cab, Category 4 protection level.  
Cab air filter Category 4, easy access to filter for maintenance.  
Large pneumatic seat.  
Air conditioning, heating. Full automatic A/C controls.

## Controls

Joystick for forward/reverse and speed control.  
Switches for nozzles controls directly on main joystick.  
Remote electric pressure regulation.  
Digital display for tank level and working pressure.  
Digital display for spray rates parameters.  
7" color display for multiple cameras IR.  
Computer for automatic spray rates management.  
GPS guidance systems.  
GPS/Spray controller interface system.

## Transmission

4 wheel drive.  
4 wheel steer.  
Continuous hydrostatic transmission.  
Heavy-duty mechanical axles.  
Limited Slip system on both axles.

## Suspensions

CAB: pneumatic suspensions.  
CHASSIS: hydraulic suspensions with electronic control of position and automatic level adjustment.

## Brakes

Hydrostatic brake.  
Hydraulic service brake.  
Hydraulic park brake.

## Tank

Reinforced fiberglass tank with inside protective layer.  
Capacity: 4000 liters | 1000 US gallons  
Inside baffle anti-rolling.  
Flush tank.  
Hand wash tank.

## Nozzles

Available front and rear nozzles manifolds.  
2, 4, 6 or 8 independent nozzles sections.  
Double or triple no-drip nozzles.  
Long range jets.  
Adjustable cone nozzles.  
Anti-drift tips.  
Flood jets for use with fertilizers or for watering purposes.

## Spray equipment

Chemicals diaphragm pump with brass heads and manifolds.  
180 - 260 l/min | 50 bar  
Possible spray rates low – medium – high: from 100 to 10000 l/ha (from 11 to 1100 gal/acre)  
Double hydraulic tank mixture agitation system: Triple + double flow > 1000 l/min total flow  
Double filtering system: suction filter + pressure in-line filters.  
Electric valves for nozzles sections.  
Electric pressure regulator.

## Blower

VAC 997 blower, 997 mm (40") diameter axial fan.  
Stainless steel body, swirl correction system, double air outlet, front suction, symmetric air pattern.  
VAC 997 AVO blower, 4 nozzles sections, long jets + adjustable cone nozzles.  
VAC 997 MINI TARGET, tower shaped.

## Dimensions

Length [cm]	598
Height [cm]	225
Width outside tires [cm]	215
Width outside machine (max) [cm]	190
Steering radius max [cm]	424
Tires	425-55 R17

Ci riserviamo il diritto di modificare i nostri modelli e le loro caratteristiche senza preavviso / Characteristics and descriptions are indicative and not binding / Nous nous reservons le droit de modifier nos modeles et leur caracteristiques sans preavis



**SELF-PROPELLED SPRAYER  
4000 LITERS - 1000 GALLONS**



ANDREOLI ENGINEERING Srl  
Via prov.le Modena, 68/B - 41016 Novi di Modena (MO) - ITALY  
Tel +39 (0)59 670164 - Fax +39 (0)59 677027  
www.andreoliengineering.it - www.andreoliengineering.com



# ATOM 4000

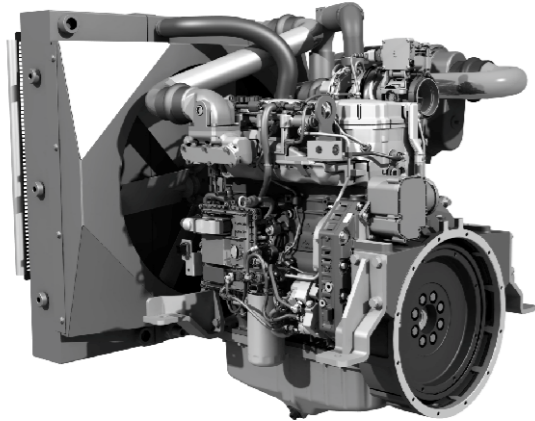
DESIGNED FOR PROFESSIONAL  
LARGE FRUIT TREE GROWERS

ATOM 4000 self-propelled sprayer gives maximum driving comfort, total safety and unparalleled spray delivery system. ATOM 4000 main features are:

- Big tank capacity
- Powerful engine and transmission
- Powerful blower system
- Large roomy cab
- Cab with Category 4 top level protection
- Combined suspensions systems hydraulic / pneumatic
- Best driving comfort



Thanks to its big tank capacity and autonomy, maneuverability, powerful blower system and driving comfort, ATOM 4000 safely performs spraying operations at high speed in all conditions.



Strong and reliable 140 HP diesel engine.  
Heavy-duty axles with Limited Slip system.  
Heavy-duty hydrostatic transmission.



Front + Rear axles hydraulic suspension system.  
Automatic electronic adjustment of hydraulic suspensions.  
Automatic leveling of the machine for best stability and comfort.



Stainless steel cab body.  
Big cab volume, best visibility.

Cab pneumatic suspensions system.

Pressurized cab, Category 4 protection level.  
Cab air filter Category 4, easy access to filter for maintenance.

Pneumatic seat with automatic adjustment.  
Passenger seat.

Air conditioning, heating.  
Full automatic A/C controls.

Stainless steel front roll bar for windscreen protection.



Joystick for forward/reverse and speed control.  
Switches for nozzles controls directly on main joystick.  
Electric pressure regulation with switch.

Digital display for tank level and working pressure.  
Digital display for spray rates.

Automatic spray rates controller.  
GPS guidance system.  
7" color display for multiple cameras IR.



3 modes hydraulic steer: 2 WS, 4 WS, 4 WS crab.

Hydrostatic brake.  
Hydraulic service brake.  
Hydraulic park brake.

ATOM 4000 is designed to work also in steep conditions.



VAC 997 blower:

- 1000 mm (40") diameter high efficiency fan
- clean front suction: no chemicals and leaves intake
- air recovery - 2 back air outlets
- great airflow: best resistance against drift
- unique guide vanes system: accurate and even spray
- air flow pattern perfectly matching geometry of vegetation at any height
- air flow pattern symmetric and even
- 100% stainless steel
- reduced fuel consumption
- optimized position of nozzles for best spray delivery
- tower shape available for espalier orchards
- different nozzles configurations available
- flood jet for fertirrigation available



Low fill-up points for quick tank filling:  
- main tank filling  
- chemicals filling  
- flush tank filling  
- Venturi chemicals suction system available

Stainless steel chemicals mixer with high pressure jets.

Double tank mixture agitation system:  
- Triple flow super-mixer  
- Double flow mixer



Smooth profile and compact dimensions allow ATOM 4000 spraying in all types of orchards.

Hydrostatic continuous transmission ensures accurate and smooth drive.  
The speed of the machine is independent from engine and fan speed, thus allowing a great range of spray conditions, for best trees coverage.



Powerful VAC blower and transmission allow ATOM 4000 to increase spray speed.  
ATOM 4000 great manoeuvrability and tank capacity reduce spraying time.

Driving the ATOM 4000 is easy - driver can concentrate on spraying parameters.  
Electronic systems allow the driver to easily keep under control all spraying parameters.  
Automatic spray rates controllers also available.



ATOM 4000 comes with diaphragms brass pump for chemicals circuit.  
Multiple valves system can deliver up to 260 liters/min to the nozzles.

Double filtering system: suction filter + in-line pressure filters.

ATOM 4000 is equipped with LED work lights and IR cameras for night-time operations.