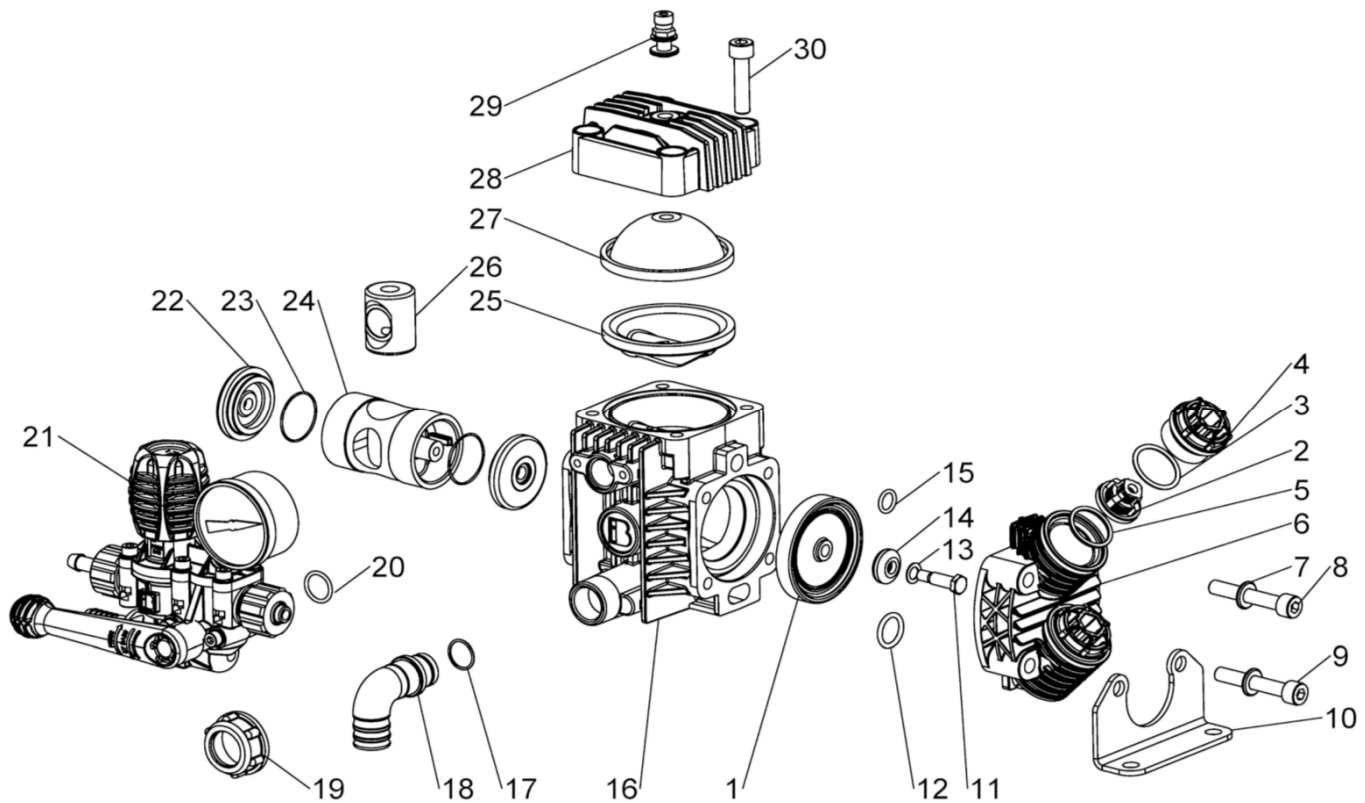
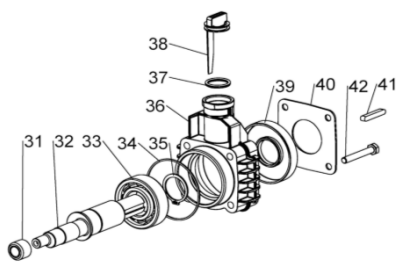


STRIP VA-DE-D4

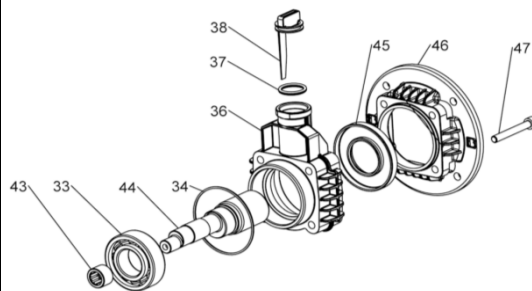


VERSIONS

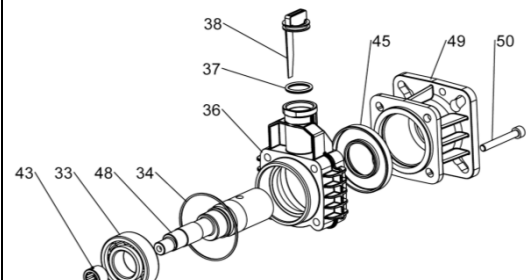
VA



DE



D4



| POS. | CODICE PART NO. REF. | DENOMINAZIONE - DESCRIPTION - DESCRIPTION | Q.TY | POS. | CODICE PART NO. REF. | DENOMINAZIONE - DESCRIPTION - DESCRIPTION | Q.TY |
|------|----------------------|---|------|------|----------------------|---|------|
| 1 | 12.0040.31.2 | DIAPHRAGM | 2 | 28 | 11.0004.09.2 | BALLASTER COVER | 1 |
| 2 | 11.9001.97.3 | VALVES | 4 | 29 | 86.1608.50.2 | AIR VALVE | 1 |
| 3 | 80.3219.00.2 | O-RING 3x25 | 4 | 30 | 86.2730.00.2 | SCREW M8X30 UNI5931 | 4 |
| 4 | 11.0152.32.2 | CAP | 4 | 31 | 10.9815.97.3 | BEARING ASSEMBLY | 1 |
| 5 | 80.3200.00.2 | O-RING 2,62x22,22 | 4 | 32 | 11.0131.42.2 | CRANKSHAFT VA | 1 |
| 6 | 11.0151.32.2 | HEAD | 2 | 33 | 81.2707.00.2 | BEARING 25X52X15 | 1 |
| 7 | 84.3685.00.2 | WASHER D.8,2X15X1,5 | 8 | 34 | 80.3080.40.2 | O-RING 1,78x53,7 | 1 |
| 8 | 86.2796.00.2 | SCREW M8X40 UNI5931 | 4-8 | 35 | 80.1185.00.2 | SNAP RING D.25 | 1 |
| 9 | 86.2853.00.2 | SCREW M8X45 UNI5931 (ONLY VA) | 4 | 36 | 11.0153.32.2 | BEARING HOUSING | 1 |
| 10 | 11.0154.61.2 | MOUNTING RAIL (ONLY VA) | 2 | 37 | 80.3187.00.2 | O-RING 2,62x17,86 | 1 |
| 11 | 11.0008.53.2 | DIAPHRAGM SCREW | 2 | 38 | 11.0022.32.2 | OIL ROD | 1 |
| 12 | 80.3181.00.2 | O-RING 2,62x15,54 | 2 | 39 | 80.2100.00.2 | OIL SEAL 25x62x10 | 1 |
| 13 | 84.3620.10.2 | WASHER D.7,3x12x0,5 | 2 | 40 | 11.0162.61.2 | FLANGE | 1 |
| 14 | 11.0009.32.2 | DISK | 2 | 41 | 80.6436.00.2 | KEY | 1 |
| 15 | 80.3088.20.2 | O-RING 2,0x10 | 2 | 42 | 86.2345.00.2 | SCREW M6X40 UNI5737 | 4 |
| 16 | 11.0150.09.2 | CRANKCASE | 1 | 43 | 10.9815.97.3 | BEARING ASSEMBLY | 1 |
| 17 | 80.3060.00.2 | O-RING 1,78X12,42 | 1 | 44 | 11.0156.42.2 | SHAFT DE | 1 |
| 18 | 84.0521.00.2 | 90° ELBOW CONNECTOR DIA.20 | 1 | 45 | 80.2125.50.2 | OIL SEAL D.30X62X7 (D4 15mm-5/8") | 1 |
| 19 | 82.0042.10.2 | WING NUTG.3/4" | 1 | 46 | 80.2153.00.2 | OIL SEAL D.35X62X7 (DE-D4 3/4") | 1 |
| 20 | 80.3088.00.2 | O-RING 2X15 | 1 | 47 | 11.0155.09.2 | FLANGE DE (MEC80) | 1 |
| 21 | 94.7301.97.3 | PRESSURE REGULATOR PBP 25 | 1 | 48 | 86.2405.10.2 | SCREW M6X50 UNI5931 | 4 |
| 22 | 11.0011.32.2 | PISTON HEAD | 2 | 49 | 11.0157.42.2 | SHAFT D4S (15MM) | 1 |
| 23 | 80.3005.00.2 | O-RING 1,0x28 | 2 | 50 | 11.0158.42.2 | SHAFT D4Q (5/8") | 1 |
| 24 | 11.0010.09.2 | PISTON | 1 | 51 | 11.0159.42.2 | SHAFT D4Q (3/4") | 1 |
| 25 | 10.0040.31.2 | LOWER ACCUMULATOR DIAPHRAGM | 1 | 52 | 04.0329.09.2 | FLANGE D4 | 1 |
| 26 | 11.0015.01.2 | PLUNGER ROD | 1 | 53 | 86.2355.00.2 | SCREW M6X45 UNI5931 | 4 |
| 27 | 10.0041.31.2 | UPPER ACCUMULATOR DIAPHRAGM | 1 | | | | |